

INSTRUCTIONS FOR USE

Magrini Baby Changing Unit - Model MV64

For fixing into blockwork or brickwork:

Use 4 pan head screws (6mm dia. x 70mm long) together with large size 10mm block fixing anchor, (both supplied). DO NOT use shorter screws than 70mm.

Use the 19mm with 6.5mm hole flat washer (supplied) on all four fasteners. This is important to prevent the unit pulling over the screw heads.

For fixing into wood or metal wall studs:

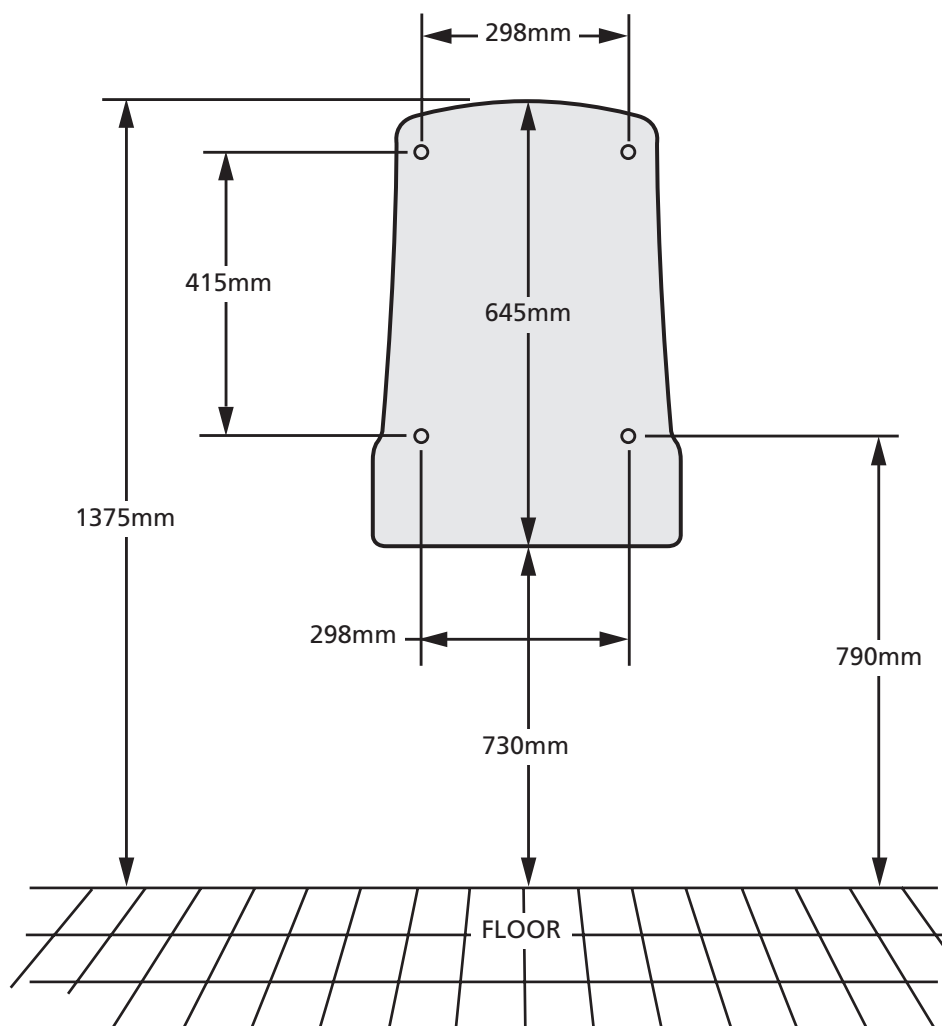
Use the 6mm x 70mm pan head tapping screw for fixing into the wall studs.

Use the 19mm with 6.5mm hole flat washer (supplied) on all four fasteners. This is important to prevent the unit pulling over the screw heads.

Note: All assembly fittings shall always be tightened properly. Screws shall not be loose because a child can squeeze parts of the body, or clothing (e.g. strings, necklaces, ribbons for babies, dummies, etc.) could get caught. There would be danger of strangulation.

Units should be fitted no less than 100mm from the corner of the room to enable access for cleaning.

Be aware of the risk of open fire and other sources of strong heat, such as electric bar fires, gas fires etc. in the near vicinity of the unit.



Magrini Limited

Unit 5, Maybrook Industrial Estate, Brownhills, Walsall WS8 7DG

Tel: 01543 375311 Fax: 01543 361172 Email: sales@magrini.co.uk Web: www.magrini.co.uk

INSTRUCTIONS FOR USE

Magrini Baby Changing Unit - Model MV64

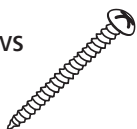
IMPORTANT: RETAIN FOR FUTURE REFERENCE. READ CAREFULLY.

To assure proper installation, we suggest that a qualified person install this unit. Magrini Ltd., will not be responsible if the changing station is not installed correctly. All recommended fixings are supplied. Replacements are available free of charge from Magrini - do not use less substantial fittings. The changing unit must be fixed to the wall for safe use of the product.

We recommend that the unit be installed to brickwork or blockwork. If installing to a cavity wall, then a sound fixing to joists is required. We DO NOT recommend fixing onto toilet or changing room cubicle walls.

Changing Unit Fixing Parts (supplied):

4 No. Pan Head Screws
6mm x 70mm long



4 No. Fixing Plugs
10mm x 60mm



4 No. Flat Washers
19mm with 6.5mm hole



Tools required:

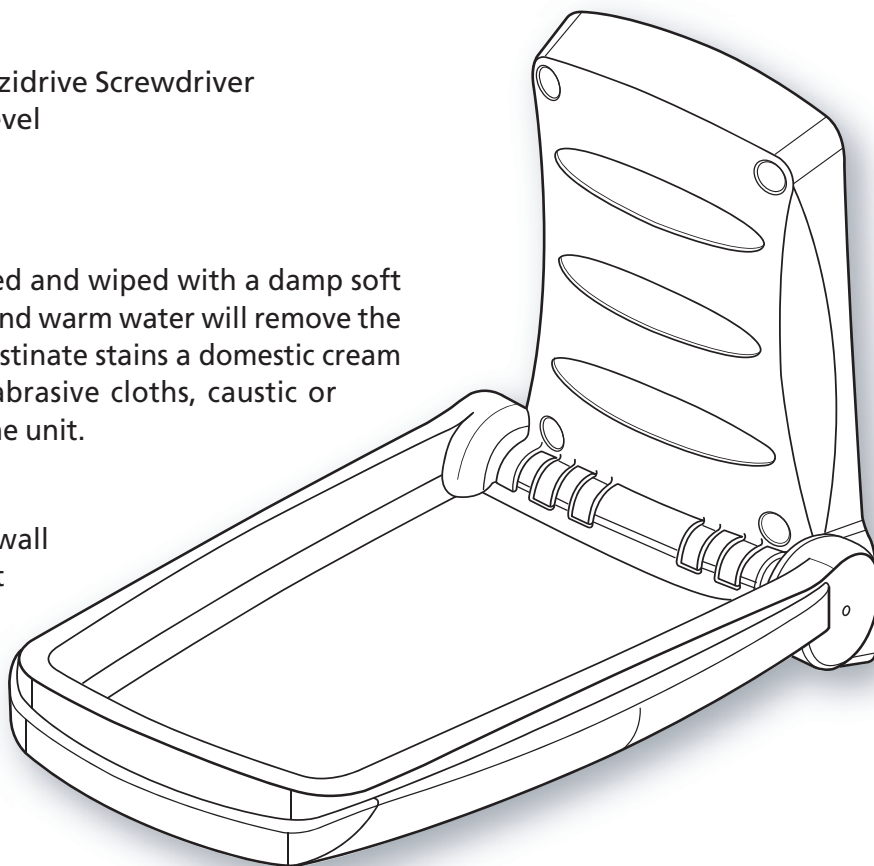
- Drill
- No.2 Pozidrive Screwdriver
- 10mm Masonry Drill Bit
- Spirit Level

Cleaning Instructions

The nappy changing unit may be washed and wiped with a damp soft cloth or sponge. Use of mild detergent and warm water will remove the majority of dust and stains. For more obstinate stains a domestic cream cleaner can be used. Do not use any abrasive cloths, caustic or solvent cleaners as these may damage the unit.

Maintenance Instructions

Open the unit and check that the four wall mounting fixings are secure. Check that the changing bed does not rest below the horizontal position. Ensure warning label is in place on the inside of the unit and general cleanliness is within given guidelines. Ensure closing mechanism returns the tray to the upright position.



WARNING: DO NOT LEAVE THE CHILD UNATTENDED.

Intended for use for children up to a maximum weight of 15kg and an age of approximately 12 months.



Magrini Limited

Unit 5, Maybrook Industrial Estate, Brownhills, Walsall WS8 7DG

Tel: 01543 375311 Fax: 01543 361172 Email: sales@magrini.co.uk Web: www.magrini.co.uk